

SPECIFICATIONS

Shaft

Square, fabricated from high grade structural steel tube. Shaft conforms to ASTM-A-501-68 specifications. Meets or exceeds minimum yield strength of 46,000 P.S.I. wall thickness 11 GA. (.120 wall) or 7 GA. (.180 wall) as specified. Shaft is furnished with ground lug located inside pole on wall opposite hand hole.

Drilling Side Mount

A removable pole cap is included. Pole will be drilled to match customer provided drilling template.

Pole Top Mount

Standard pole top mount - PT27, fabricated from 2.5" (2.875" O.D.) steel pipe - tenon options available for pole tops please see Mounting column. For other pole top configurations please consult factory.

Hand Hole Cover

All square Steel Poles - Supplied with reinforced steel 2 5/8" x 4 5/8" access opening. Hand Hole provided with rectangular 3"x5" stamped heavy gauge aluminum material, Sealed door is secured by a formed aluminum bar and a stainless steel, tamper proof screw.

Base Plate

Fabricated from structural quality hot rolled steel. Meets or exceeds minimum yield strength of 36,000 P.S.I. Base telescopes and is circumferentially welded to pole shaft. Slotted bolt holes provide 1" flexibility on either side of bolt circle centerline.

Anchorage

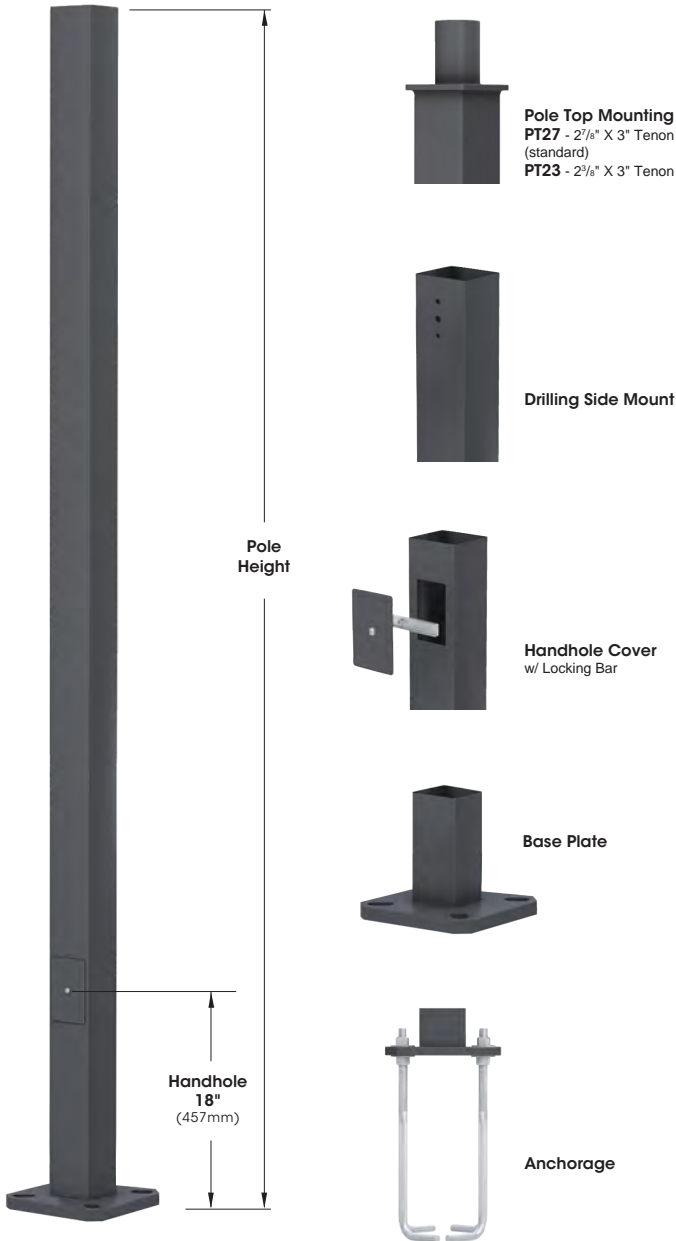
(4) anchor bolts fabricated from hot rolled steel bar. Minimum yield strength of 50,000 P.S.I. Bolts have "L" bend on one end and are threaded on the other. Bolts are fully galvanized and are furnished with two nuts and two washers.

Base Cover

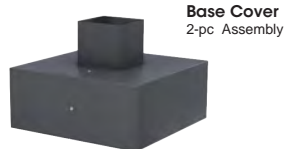
Fabricated from heavy wall aluminum construction. Two piece cover conceals base.

Finish

Electrostatically applied TGIC Polyester Powder Coat on substrate prepared with 20 PSI power wash at 140°F. Four step media blast and iron phosphate pretreatment for protection and paint adhesion. 400°F bake for maximum hardness and durability.

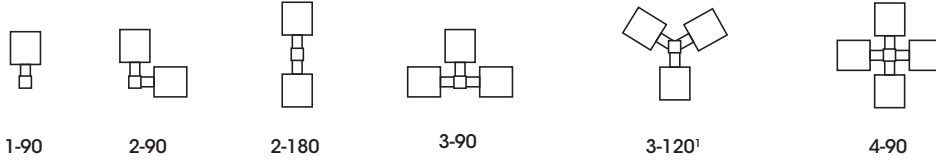


Pole Model	Pole Sq.	Pole Height
BF-SNTS4	4"	10' - 30'
BF-SNTS5	5"	18' - 30'
BF-SNTS6	6"	20' - 30'



DRILLING SIDE MOUNT

Street Side



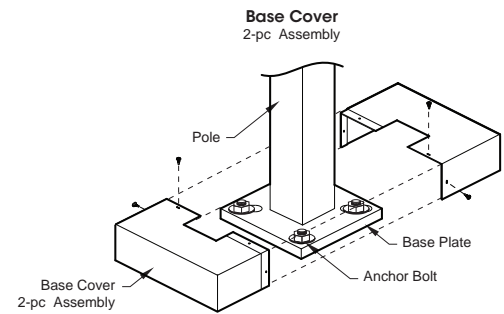
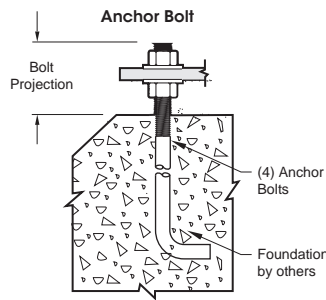
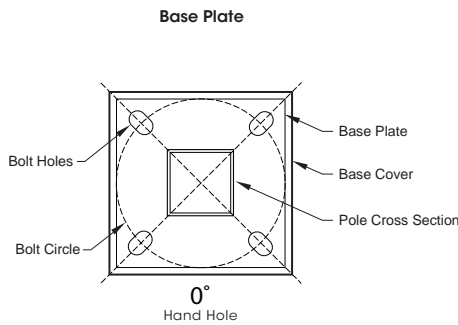
Sidewalk Side
Hand Hole located on Sidewalk Side

Notes

1- Requires PT27 and T3120 adapter. (adaptor is rotatable)

[Drilling template must be provided by customer]

BOLT CIRCLE



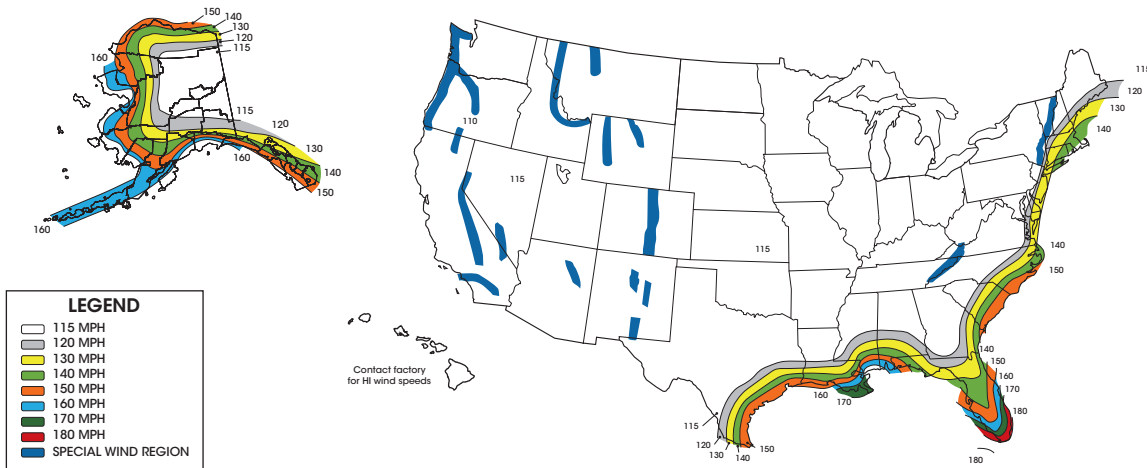
Catalog Number	POLE							ANCHOR BOLTS				ANCHOR PLATE			
	Height		Bottom - Top				Wall Thickness (In/Ga)	Weight (Lbs)	Bolt Size	Bolt Projection above grade ^{2,3}	Bolt Circle Dia Range ¹	Bolt Circle Dia (In) (Rec.) ¹	Template	Base Plate	Cover
	Ft	M	In	Cm	In	Cm									
BF-SNTS 104 - 11	10	3.05	4.00	4.00	10.16	10.16	11	86	3/4" x 18" x 3"	3/4" - 3/4"	8" - 11"	9"	BF9	3/4" x 10" x 10"	5" x 12" x 12"
BF-SNTS 124 - 11	12	3.66	4.00	4.00	10.16	10.16	11	99	3/4" x 18" x 3"	3/4" - 3/4"	8" - 11"	9"	BF9	3/4" x 10" x 10"	5" x 12" x 12"
BF-SNTS 144 - 11	14	4.27	4.00	4.00	10.16	10.16	11	112	3/4" x 18" x 3"	3/4" - 3/4"	8" - 11"	9"	BF9	3/4" x 10" x 10"	5" x 12" x 12"
BF-SNTS 154 - 11	15	4.57	4.00	4.00	10.16	10.16	11	118	3/4" x 18" x 3"	3/4" - 3/4"	8" - 11"	9"	BF9	3/4" x 10" x 10"	5" x 12" x 12"
BF-SNTS 164 - 11	16	4.88	4.00	4.00	10.16	10.16	11	124	3/4" x 18" x 3"	3/4" - 3/4"	8" - 11"	9"	BF9	3/4" x 10" x 10"	5" x 12" x 12"
BF-SNTS 184 - 11	18	5.49	4.00	4.00	10.16	10.16	11	137	3/4" x 18" x 3"	3/4" - 3/4"	8" - 11"	9"	BF9	3/4" x 10" x 10"	5" x 12" x 12"
BF-SNTS 204 - 11	20	6.10	4.00	4.00	10.16	10.16	11	150	3/4" x 24" x 3"	3/4" - 3/4"	8" - 11"	10"	BF10	3/4" x 10" x 10"	5" x 12" x 12"
BF-SNTS 204 - 7	20	6.10	4.00	4.00	10.16	10.16	7	210	3/4" x 30" x 3"	3/4" - 3/4"	8" - 11"	11"	BF11	3/4" x 10" x 10"	5" x 12" x 12"
BF-SNTS 254 - 11	25	7.62	4.00	4.00	10.16	10.16	11	181	3/4" x 24" x 3"	3/4" - 3/4"	8" - 11"	11"	BF11	3/4" x 10" x 10"	5" x 12" x 12"
BF-SNTS 254 - 7	25	7.62	4.00	4.00	10.16	10.16	7	257	3/4" x 30" x 3"	3/4" - 3/4"	8" - 11"	11"	BF11	3/4" x 10" x 10"	5" x 12" x 12"
BF-SNTS 185 - 11	18	5.49	5.00	5.00	12.70	12.70	11	171	1" x 36" x 4"	4" - 4 1/2"	10 1/2" - 12 1/2"	12"	BF12	1" x 11 1/2" x 11 1/2"	5" x 12" x 12"
BF-SNTS 205 - 11	20	6.10	5.00	5.00	12.70	12.70	11	187	1" x 36" x 4"	4" - 4 1/2"	10 1/2" - 12 1/2"	12"	BF12	1" x 11 1/2" x 11 1/2"	5" x 12" x 12"
BF-SNTS 205 - 7	20	6.10	5.00	5.00	12.70	12.70	7	234	1" x 36" x 4"	4" - 4 1/2"	10 1/2" - 12 1/2"	12"	BF12	1" x 11 1/2" x 11 1/2"	5" x 12" x 12"
BF-SNTS 255 - 11	25	7.62	5.00	5.00	12.70	12.70	11	227	1" x 36" x 4"	4" - 4 1/2"	10 1/2" - 12 1/2"	12"	BF12	1" x 11 1/2" x 11 1/2"	5" x 12" x 12"
BF-SNTS 255 - 7	25	7.62	5.00	5.00	12.70	12.70	7	323	1" x 36" x 4"	4" - 4 1/2"	10 1/2" - 12 1/2"	12"	BF12	1" x 11 1/2" x 11 1/2"	5" x 12" x 12"
BF-SNTS 206 - 7	20	6.10	6.00	6.00	15.24	15.24	7	322	1" x 36" x 4"	4" - 4 1/2"	11 1/2" - 14 1/2"	12"	BF12	1" x 13 1/2" x 13 1/2"	5" x 14" x 14"
BF-SNTS 256 - 7	25	7.62	6.00	6.00	15.24	15.24	7	393	1" x 36" x 4"	4" - 4 1/2"	11 1/2" - 14 1/2"	12"	BF12	1" x 13 1/2" x 13 1/2"	5" x 14" x 14"
BF-SNTS 304 - 7	30	7.62	4.00	4.00	10.16	10.16	7	257	3/4" x 30" x 3"	3/4" - 3/4"	8" - 11"	11"	BF11	3/4" x 10" x 10"	5" x 12" x 12"
BF-SNTS 305 - 11	30	9.15	5.00	5.00	12.70	12.70	11	267	1" x 36" x 4"	4" - 4 1/2"	10 1/2" - 12 1/2"	12"	BF12	1" x 11 1/2" x 11 1/2"	5" x 12" x 12"
BF-SNTS 305 - 7	30	9.15	5.00	5.00	12.70	12.70	7	382	1" x 36" x 4"	4" - 4 1/2"	10 1/2" - 12 1/2"	12"	BF12	1" x 11 1/2" x 11 1/2"	5" x 12" x 12"
BF-SNTS 306 - 7	30	9.15	6.00	6.00	15.24	15.24	7	464	1" x 36" x 4"	4" - 4 1/2"	11 1/2" - 14 1/2"	12"	BF12	1" x 13 1/2" x 13 1/2"	5" x 14" x 14"

1 - Not using correct bolt size or "(REC.) Recommended" Bolt Circle could result in Pole's failure.

2 - Bolt Projection is calculated for slopes with 3 degrees or less.

3 - For slopes greater than 3 degrees, please add Bolt Length Projection as necessary.

WIND MAP



EPA INFORMATION (ft²)

(per AASHTO LRFDLTS-1 revised 2022)

Cat. No.	Weight Capacity Maximum (Lbs.)	100 MPH	110 MPH	115 MPH	120 MPH	130 MPH	140 MPH	150 MPH	160 MPH	170 MPH	180 MPH
BF-SNTS 104-11	300 - 287*	15.0	15.0	15.0	15.0	15.0	15.0	13.0	10.8	9.5	8.2
BF-SNTS 124-11	300 - 199.5*	15.0	15.0	15.0	15.0	13.9	11.7	9.5	7.9	6.5	5.7
BF-SNTS 144-11	300 - 189*	15.0	15.0	15.0	15.0	14.2	11.4	9.8	8.2	6.8	5.4
BF-SNTS 154-11	300 - 94.5*	15.0	15.0	13.7	11.9	9.7	7.5	5.9	4.7	3.9	2.7
BF-SNTS 164-11	300 - 63*	15.0	12.8	11.4	9.8	8.0	6.0	4.6	3.8	2.8	1.8
BF-SNTS 184-11	300 - 60*	13.2	10.0	9.0	7.6	6.0	4.4	3.2	2.2	1.4	0.4
BF-SNTS 204-11	300 - 60*	12.6	9.4	8.4	7.2	5.0	3.8	2.6	1.6	0.8	0.0
BF-SNTS 204-7	300 - 60*	14.4	11.2	9.8	8.2	6.4	4.8	3.4	2.0	1.4	0.4
BF-SNTS 254-11	300 - 60*	15.0	11.4	8.2	5.6	4.2	3.6	1.8	0.8	0.0	0.0
BF-SNTS 254-7	300 - 60*	15.0	14.0	10.4	8.6	7.0	5.6	4.4	3.3	2.2	1.2
BF-SNTS 185-11	300 - 182*	15.0	15.0	15.0	15.0	15.0	12.8	10.0	8.0	6.6	5.2
BF-SNTS 205-11	300 - 112*	15.0	15.0	15.0	15.0	12.6	9.8	7.8	6.0	4.2	3.2
BF-SNTS 205-7	300 - 154*	15.0	15.0	15.0	15.0	14.8	12.0	9.2	7.2	5.8	4.4
BF-SNTS 255-11	300 - 60*	15.0	11.6	9.8	8.6	6.0	3.6	2.0	1.0	0.0	0.0
BF-SNTS 255-7	300 - 87.5*	15.0	14.2	12.2	10.2	7.6	10.4	7.4	5.4	3.8	2.5
BF-SNTS 206-7	300 - 287*	15.0	15.0	15.0	15.0	15.0	15.0	15.0	12.0	9.6	8.2
BF-SNTS 256-7	300 - 199.5*	12.4	12.0	11.7	11.4	11.0	10.5	10.1	8.3	6.8	5.7
BF-SNTS 304-7	300 - 60*	11.4	8.1	6.8	5.6	3.6	2.1	0.8	0.0	0.0	0.0
BF-SNTS 305-11	300 - 60*	9.7	6.1	4.9	3.3	1.5	0.0	0.0	0.0	0.0	0.0
BF-SNTS 305-7	300 - 60*	12.0	8.5	7.0	6.3	5.6	4.7	2.9	1.1	0.2	0.0
BF-SNTS 306-7	300 - 108.5*	9.8	9.0	8.3	7.7	6.9	6.0	5.1	4.6	4.0	3.1

EPA INFORMATION (ft²)

(per 2020 FL Building Code)

Cat. No.	Weight Capacity Maximum (Lbs.)	120 MPH	130 MPH	140 MPH	150 MPH	160 MPH	170 MPH	180 MPH
BF-SNTS 104-11	300 - 259*	15.0	14.2	12.9	11.7	9.7	8.6	7.4
BF-SNTS 124-11	300 - 178.5*	11.4	10.3	9.4	8.6	7.1	5.9	5.1
BF-SNTS 144-11	300 - 171.5*	11.7	10.7	9.7	8.8	7.4	6.1	4.9
BF-SNTS 154-11	249 - 84*	7.1	6.4	5.8	5.3	4.2	3.5	2.4
BF-SNTS 164-11	193 - 60*	5.5	5.0	4.6	4.1	3.4	2.5	1.6
BF-SNTS 184-11	133 - 60*	3.8	3.5	3.2	2.9	2.0	1.3	0.4
BF-SNTS 204-11	109 - 60*	3.1	2.8	2.6	2.3	1.4	0.7	0.0
BF-SNTS 204-7	144 - 60*	4.1	3.7	3.4	3.1	1.8	1.3	1.0
BF-SNTS 254-11	60	1.2	1.1	1.0	0.0	0.0	0.0	0.0
BF-SNTS 254-7	60	1.3	1.2	1.1	1.0	0.4	0.0	0.0
BF-SNTS 185-11	300 - 164.5*	12	10.9	9.9	9.0	7.2	5.9	4.7
BF-SNTS 205-11	300 - 101.5*	9.3	8.5	7.7	7.0	5.4	3.8	2.9
BF-SNTS 205-7	300 - 140*	11.0	10.0	9.1	8.3	6.5	5.2	4.0
BF-SNTS 255-11	84 - 60*	2.4	2.2	2.0	1.8	0.9	0.0	0.0
BF-SNTS 255-7	133 - 60*	3.8	3.5	3.2	2.9	2.3	1.6	1.0
BF-SNTS 206-7	300 - 84*	9.0	8.2	7.4	6.8	5.0	3.7	2.4
BF-SNTS 256-7	161 - 60*	4.6	4.2	3.8	3.5	2.8	1.9	1.2
BF-SNTS 304-7	60	1.4	0.9	0.5	0.0	0.0	0.0	0.0
BF-SNTS 305-11	60	1.7	1.1	0.6	0.0	0.0	0.0	0.0
BF-SNTS 305-7	87.5 - 60*	2.5	2.3	2.1	1.9	1.5	1.0	0.6
BF-SNTS 306-7	87.5 - 60*	2.5	2.3	2.1	1.9	1.4	0.9	0.0

* Please use the following to obtain the proper weight capacity: The maximum fixture weight equals 60 lbs. or the product of 35 lbs. x the EPA value, whichever is greater, not to exceed 300 lbs. Example, EPA = 2.2 , weight = 35 lbs. x 2.2 EPA = 77 lbs.

Notes

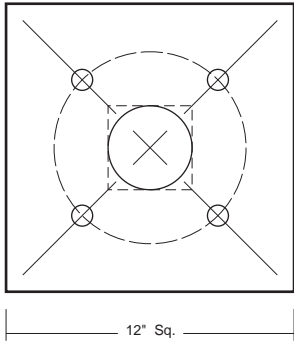
- Specifier is responsible for correct pole selection. For proper pole choice, the specifier must consider the total EPA of fixtures, banners, arms, and any other accessories attached to pole assembly.
- ALL EPAs are calculated for ground installations. For installations on bridges, buildings or other structures, the specifier must contact the factory or consult with a structural Engineer
- Unpredictable aerodynamic forces such as wind-induced vibrations are not included in wind velocity ratings or EPA ratings.
- Wind gust factors are considered in developing all EPA chart data.

To mitigate 2nd Mode (Aeolian) Vibration please read the following Recommendations:

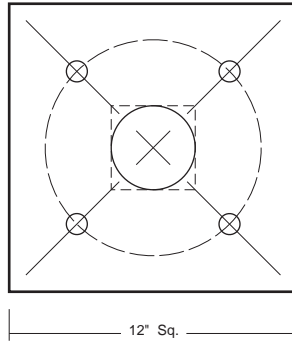
- We do not recommend the installation of poles without a fixture; such installation have been known to fail due to high pole vibrations. Replace with note 1 above
- Pole installations with a combined (fixtures, banners, flags, etc.) of less than 0.75 ft² EPA and 25 feet or taller should be installed with a vibration dampener. Please consult with your site structural engineer.

ANCHOR BOLT TEMPLATES

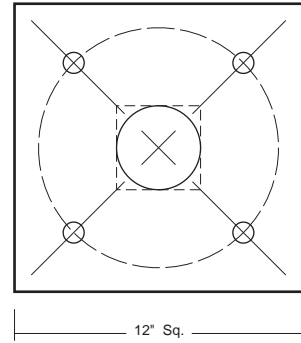
BF8
8" Bolt Circle



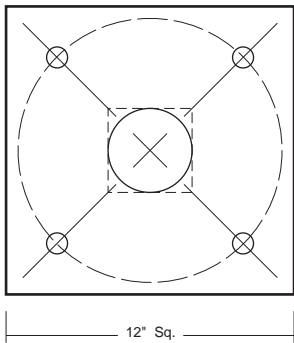
BF9
9" Bolt Circle



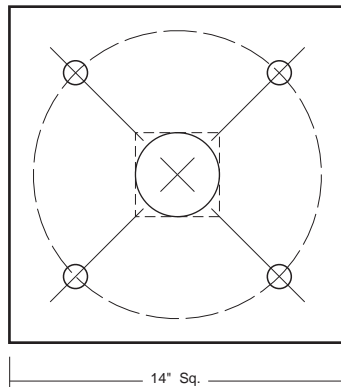
BF10
10" Bolt Circle



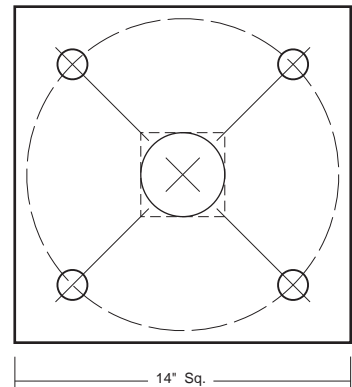
BF11
11" Bolt Circle



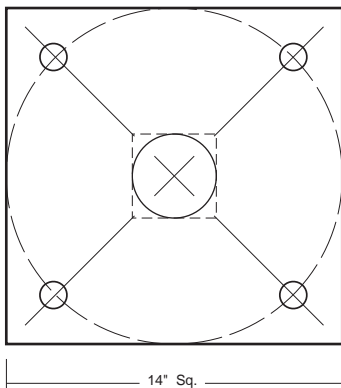
BF12
12" Bolt Circle



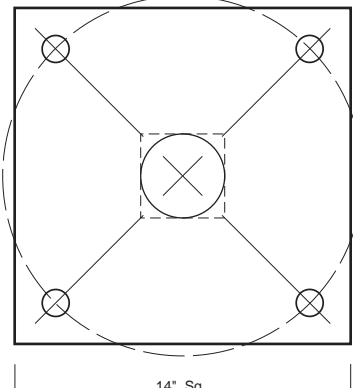
BF13
13" Bolt Circle



BF14
14" Bolt Circle



BF15
15" Bolt Circle



BF16
16" Bolt Circle

